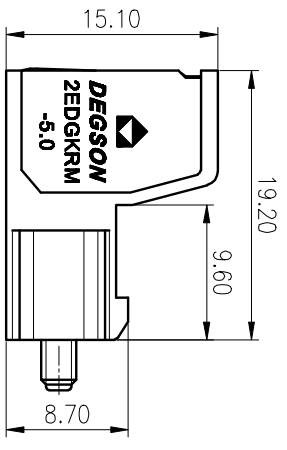
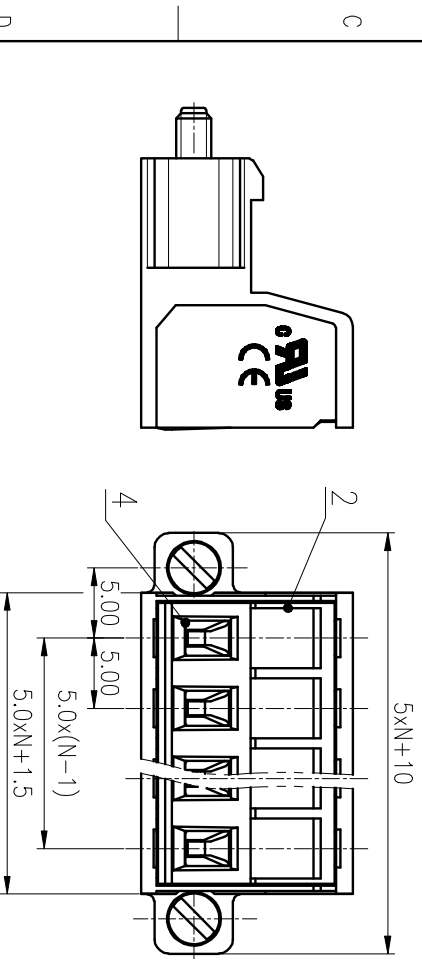
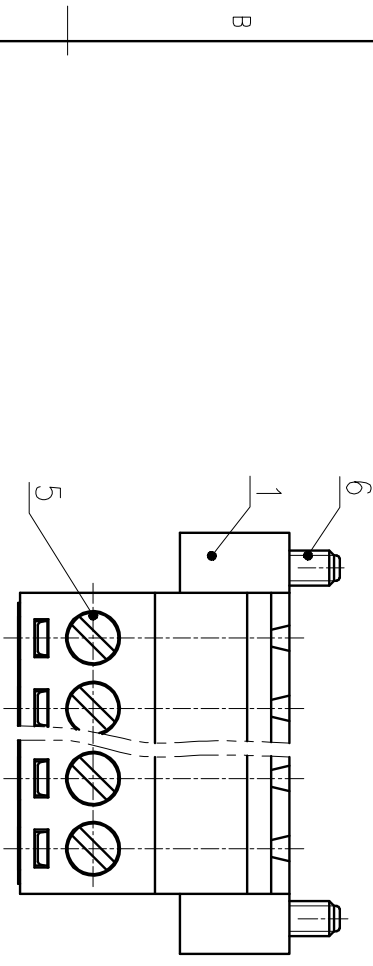
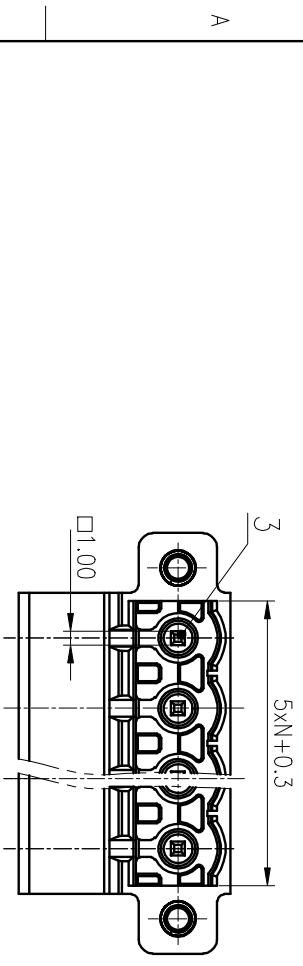


精度等级/General Tolerances(mm)		公差等级/General Tolerances(mm)										公差等级/General Tolerances(mm)		
0	>3	>6	>10	>18	>30	>50	>80	>120	>180	>250	>315	>400	>500	0.1/10
~	~	~	~	~	~	~	~	~	~	~	~	~	~	±Z
±0.12	±0.18	±0.22	±0.26	±0.31	±0.37	±0.57	±0.80	±0.93	±1.05	±1.15	±1.60	±2.20	±2.50	±Z



ITEM	NAME OF PART	MATERIAL	NOTES
6	Screw2	Steel	M2.5/Zn Plated
5	Screw1	Steel	M3/Zn Plated
4	Cage	Steel	M3/Ni Plated
3	Pin	Copper	Sn Plated
2	Cover	PA66	UL94V-0
1	Housing	PA66	UL94V-0

UL 标准/UL Standard:	B	C	D
额定电压/电涌/Rated Voltage(V)/Current(A)	300/15	/	300/7.0
IEC 标准/IEC Standard:	III/3		
过压类别/Overvoltage Category/污染等级/Pollution Degree	III/2		
额定电压/电涌/Rated Voltage(V)/Current(A)	320/20		
额定冲击电压(kV)/Rate Impulse Voltage(kV)	4		
额定扭矩/Torque Tightening(N·m/Lbin)	M3 0.8/7.08		
线芯范围(硬线和软线)/Wire Range(rigid and flexible)(mm ² /AWG)	2.5/28~12		
间距/Pitch(mm)/线数范围/Poles	5.0/N=02~22P		
引线长度/Stripping length(mm)	6~7		
使用温度范围/Operating temperature(°C)	-40~+105		
符合RoHS标准/Conform to RoHS	Yes		

MATERIAL: SURFACE:

MAT NO.: /
 STATUS: /
 APPD: Lon CHH 2020.06.24
 CHKD: Yu JZh 2020.06.24

NAME: **DEGSON® NINGBO DEGSON ELECTRICAL CO., LTD**
2EDGKRM-5.0-XXP-1Y-00A(H)

DRAWING NO.: 10002412
 TYPE: CUSTOMER DRAWING
 SCALE: 2:1
 SHEET 1/1

REV	ECN	DESCRIPTION	DRAFT	DATE	SIZE: A4	SCALE: 2:1	REV	T0

