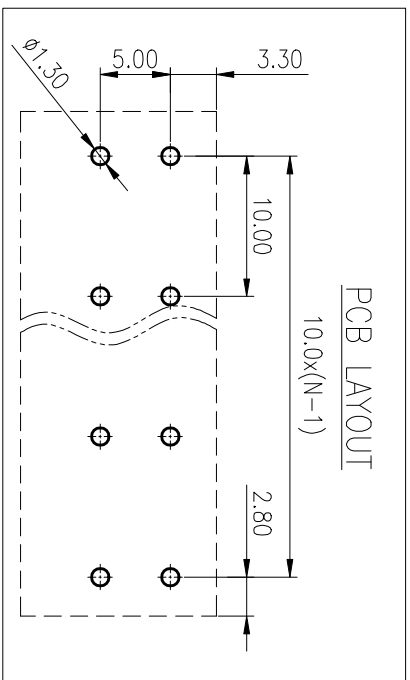
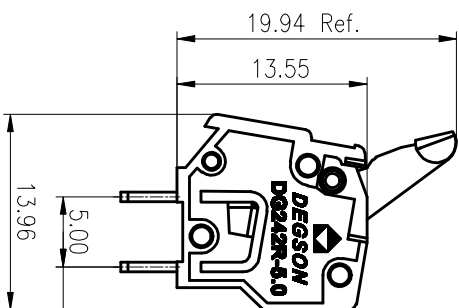
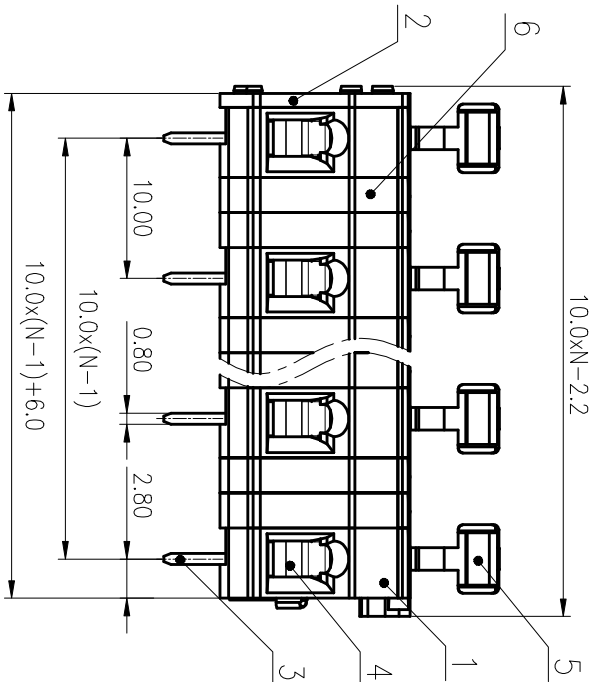
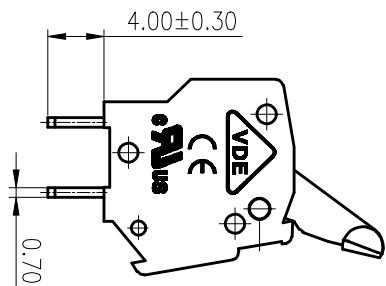


公差等级/General Tolerances(mm)		0.1/1/10	
0	>3	>10	>400
3	~6	~180	~500
6	10	30	400
18	30	50	500
±0.12	±0.18	±0.22	±0.26
±0.31	±0.37	±0.57	±0.80
±1.05	±1.15	±1.60	±2.20
±2.50	±2.50	±2.50	±2.50



MATERIAL:	/	SURFACE:	/
MAT NO.:	/		
STATUS:	/		
APPD:	LI GL 2020.06.10	NAME:	DG242R-10.0-XXP-1Y-00A(H)
CHKD:	MdEK 2020.06.10	DRAWING NO.:	DG242R-10.0-C02
DFT:	WangW 2020.06.10	TYPE:	CUSTOMER DRAWING
REV	ECN	DESCRIPTION	DRAFT
DATE	SIZE: A4	SCALE: 2:1	SHEET 1/1

ITEM	NAME OF PART	MATERIAL	NOTES
6	Calpboard	PA66	UL94V-0
5	Button	POM	UL94HB-
4	Spring	Stainless steel	/
3	Pin header	Copper alloy	Sn Plated
2	Cover	PA66	UL94V-0
1	Housing	PA66	UL94V-0

UL 标准/UL Standard:	B	C	D
额定电压/电涌/Rated Voltage(V)/Current(A)	300/15	/	300/10
IEC 标准/IEC Standard:	B	C	D
额定电压/电涌/Rated Voltage(V)/Current(A)	300/15	/	300/10
污染等级/Pollution Degree	III/3	II/2	II/2
额定电压/电涌/Rated Voltage(V)/Current(A)	/	1000/17	/
工频耐压/Withstanding Voltage(V/1Min)	/	AC3500	/
绕线范围/绕线剥线范围/Wire Range(rigid and flexible)(mm ² /AWG)	0.2~2.5/28~12	10.0/N=02~12P	
剥线长度/Stripping length(mm)		5~6	
使用温度范围/Operating temperature(°C)		-40~+105	
符合RoHS要求/Conform to RoHS	Yes		

DEGSON 宁波高松电子有限公司
NINGBO DEGSON ELECTRICAL CO., LTD