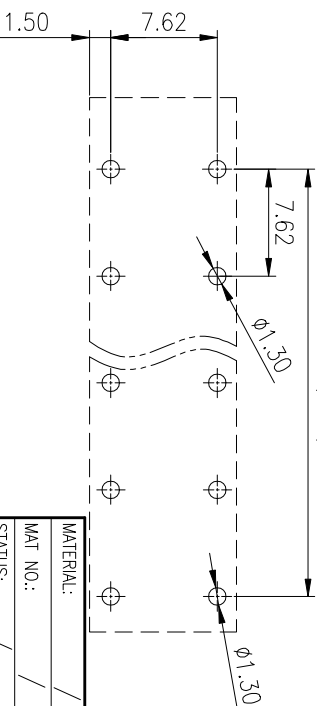


PCB LAYOUT
7.62X(N-1)



7	Clappboard	PA66	UL94V-0
6	Spring	Stainless steel	/
5	Pin header	Copper alloy	Sn Plated
4	Button	PA66	UL94V-0
3	Cover	PA66	UL94V-0
2	Housing 2	PA66	UL94V-0
1	Housing 1	PA66	UL94V-0

ITEM	NAME OF PART	MATERIAL	NOTES
1			
2			
3			
4			
5			
6			
7			

MATERIAL:	/
MAT NO.:	/
STATUS:	/
APPD: LiGL	2020.05.22
CHKD: Mek	2020.05.22
DRTT: LDD	2015.12.14
SIZE: A4	(mm) (inch)
TYPE: CUSTOMER DRAWING	SCALE: 2:1
REV	T2
1/1	SHEET

公差等级/General	Tolerances(mm)	0	>3	>6	>10	>18	>30	>50	>80	>120	>180	>280	>315	>400	>500	0.1/10
~	~	~	~	~	~	~	~	~	~	~	~	~	~	~	~	±Z
±0.12	±0.18	±0.22	±0.26	±0.31	±0.37	±0.57	±0.80	±0.93	±1.05	±1.15	±1.60	±2.20	±2.50			

UL 标准/UL Standard:	B	C	D
额定电压/电涌/Rated Voltage(V)/Current(A)	300/10	300/10	300/10
IEC 标准/IEC Standard:			
IEC 标准/IEC Standard:			
过压类别/Overvoltage Category/污秽等级/ Pollution Degree	III/3	III/2	II/2
额定电压/电涌/Rated Voltage(V)/Current(A)	320/15	320/15	630/15
额定电涌电压(KV)/Rate Impulse Voltage(KV)	4	4	4
额定电压/电涌/Rated Voltage(V)/Current(A)	0.2~1.5	22~16	
线径范围(裸线和镀线)/Wire Range(rigid and flexible)(mm ² /AWG)	7.62/N=02~16P		
间距/Pitch(mm)/线径范围/Poles	10		
剥线长度/Stripping length(mm)	-40~+105		
使用温度范围/Operating Temperature(°C)	Yes		
符合RoHS要求/Conform to RoHS			
符合REACH要求/Conform to REACH			
标准颜色编号/Standard color number:			
PANTONE / RAL	/		

DEGSON[®] NINGBO DEGSON ELECTRICAL CO., LTD
宁波高松电子有限公司

NAME: DG142V-7.62-XXP-1Y-1000A(H)

DRAWING NO.: DG142V-7.62-C15