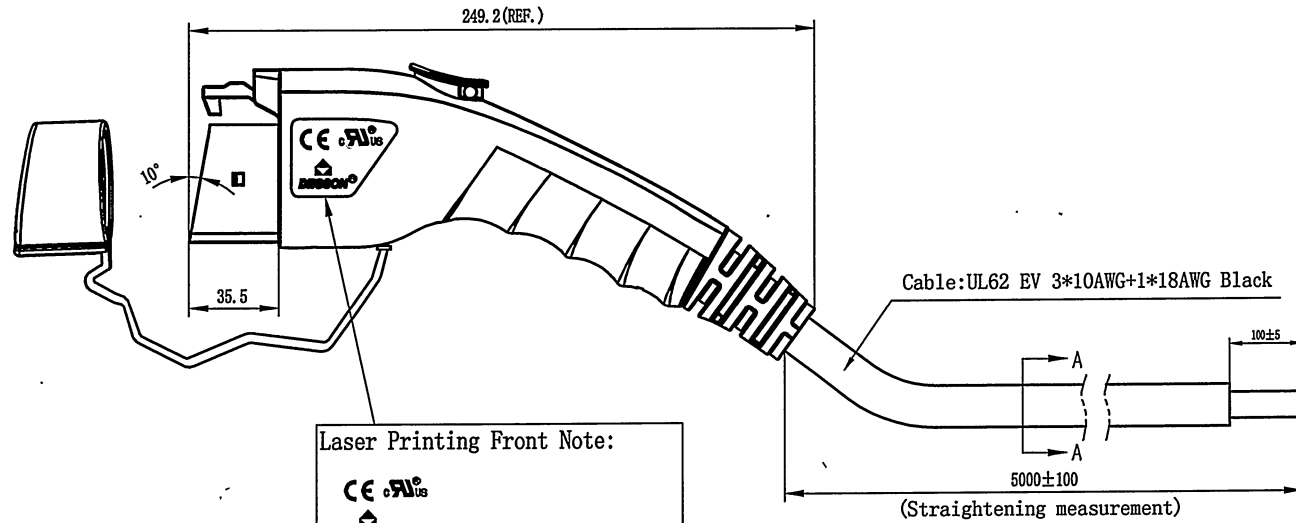
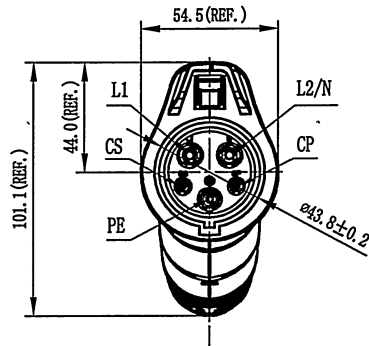
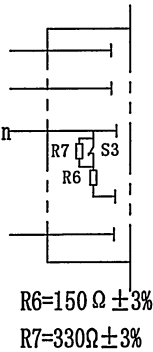


REVISION RECORD				
REV	ECN	DESCRIPTION	DRFT	DATE



Wiring diagram

- L1 10AWG Brown
- N 10AWG Blue
- PE 10AWG Yellow/Green
- CS
- CP 18AWG Red



Laser Printing Front Note:

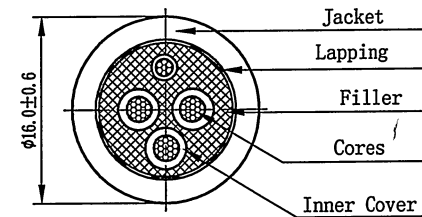


Laser Printing Back Note (Arial):

MAAC-S-032A-V-03-5.0M-10AH
 32A 240V AC
 SAE J1772:2017
 Type 3S
 201xxxxx-xxxx

MAAC-S-032A-V-03-5.0M-10AH

Serial Number
 Cable Length Optional



SEC A-A

NOTES:

1. Cable: UL62 EV 3*10AWG+1*18AWG Black
2. RoHS Compliance

Technical parameters

Rated voltage	240V AC
Rated current	32A
Temperature range	-30°C~+50°C
Insulate resistance	>5MΩ, 500V DC 1Min
Withstanding voltage	L, N AND PE, 2500V AC 1Min
	L AND N, 2500V AC 1Min
Ingress protection	Type 3S
The insertion/pullout times	10000 TIMES
Insertion/pullout force	<75N
Reference standard	SAEJ1772:2017

Customer Drawing

Size Measure Range	.XX	.X
≤6	±0.05	±0.10
6~30	±0.10	±0.20
30~120	±0.15	±0.30
120~400	±0.20	±0.50
400~1000	±0.30	±0.80
1000~2000	±0.50	±1.20
Angle Measure Range	.XX	.X
	±0.5°	±1.0°

PART NO.:/		宁波高松电子有限公司 NINGBO DEGSON ELECTRICAL CO., LTD	
APPD: HJS 2019.7.24	NAME: Vehicle Connector (32A AC single phase)	REV	DO-1
CHKD: /	MAAC-S-032A-V-03-5.0M-10AH	SHEET	1/1
DRFT: XP LUO 2019-07-24	TITLE: Customer Drawing	SCALE	1:3
THIRD ANGLE PROJECTION		DO NOT SCALE DRAWING	