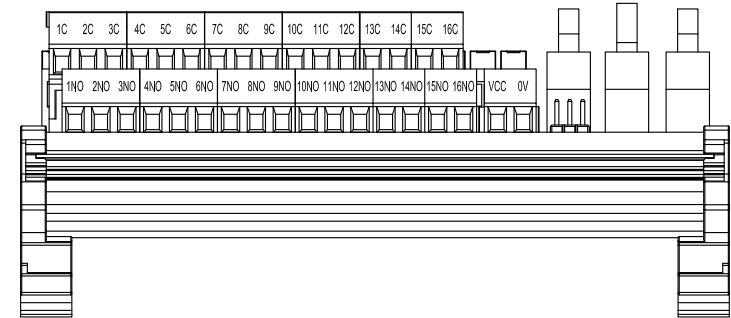
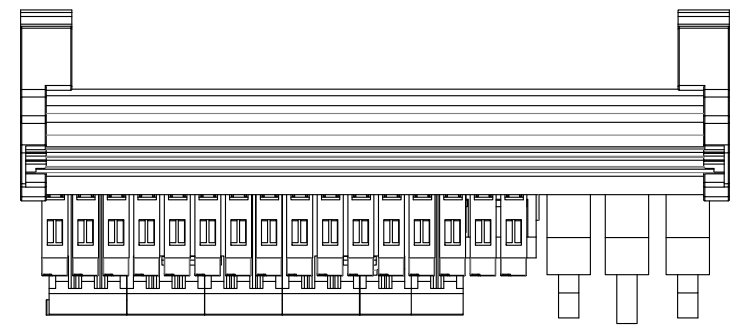
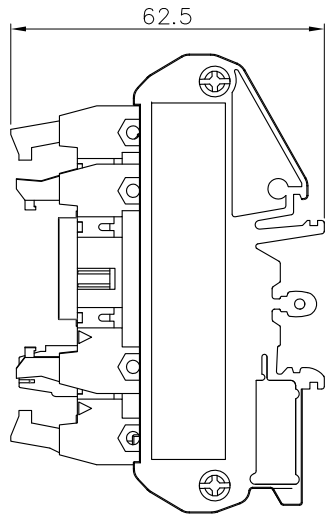
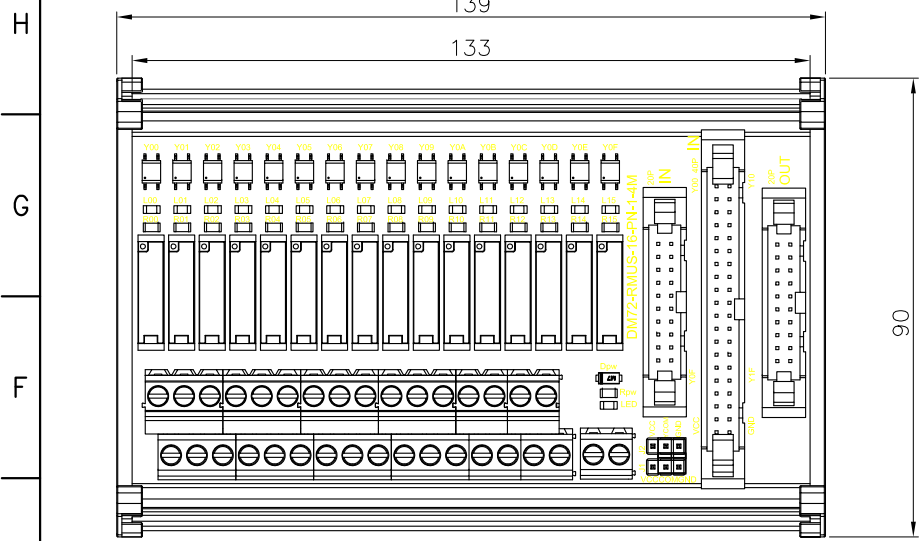


REVISION RECORD				
REV	ECN	DESCRIPTION	DRFT	DATE



Specifications	
Rated voltage	DC24V
Rated current	7.5mA
Output Voltage	250V/AC,30V/DC;
output current	5A
contact structure	1NO
Model	16
Signal input method	PNP+NPN
Mechanical life	$\geq 2 \times 10^7$
Electrical life	$\geq 5 \times 10^4$
Temperature range	- 25℃ ~ +55℃
Status Indicator	YES
Connector digits	/
Stripping Length	6-7mm
Terminal torque	0.4Nm (3.54Lb-In)
Input port/wire diameter	IDC20P/IDC40P
Output port/wire diameter	DG500-5.08/1.0-2.5mm ² /24-12AWG
Installation Method	35mmDIN

PART NO.:	宁波高松电子有限公司 NINGBO DEGSON ELECTRICAL CO., LTD				
APPD:	NAME: DM72-RMUS-16-PN-1-4M-0XA(H)				
CHKD:					
DRFT: LZM	TITLE: ASSEMBLY DRAWING	REV	T0		
 THIRD ANGLE PROJECTION		DRAWING NO.:	30000018	SHEET	1/1
		DO NOT SCALE DRAWING		SCALE	1:1