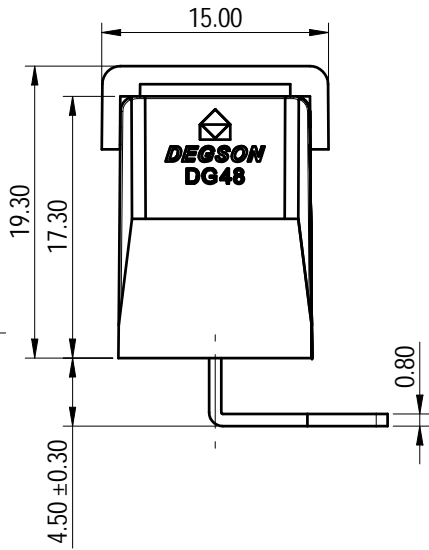
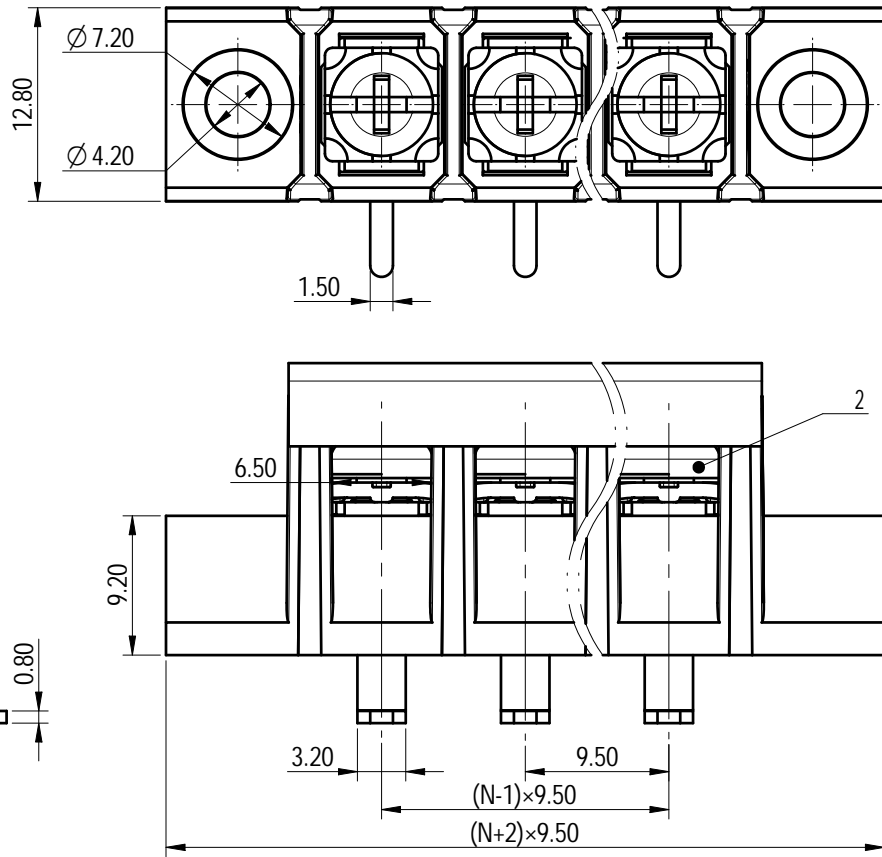
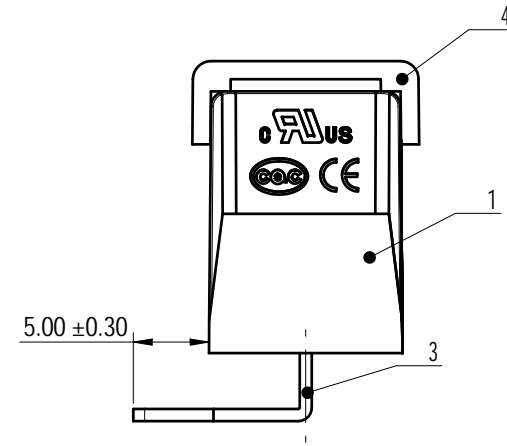


(W/O COVER VIEW)



| 未注公差/General tolerances (mm) | | | | | | | | | | | | | 0.1/10 | |
|------------------------------|--------|---------|----------|----------|----------|----------|-----------|------------|------------|------------|------------|------------|--------|------|
| 0 ~ 3 | >3 ~ 6 | >6 ~ 10 | >10 ~ 18 | >18 ~ 30 | >30 ~ 50 | >50 ~ 80 | >80 ~ 120 | >120 ~ 180 | >180 ~ 250 | >250 ~ 315 | >315 ~ 400 | >400 ~ 500 | | >500 |
| ±0.12 | ±0.18 | ±0.22 | ±0.26 | ±0.31 | ±0.37 | ±0.57 | ±0.80 | ±0.93 | ±1.05 | ±1.15 | ±1.60 | ±2.20 | ±2.50 | ±2' |

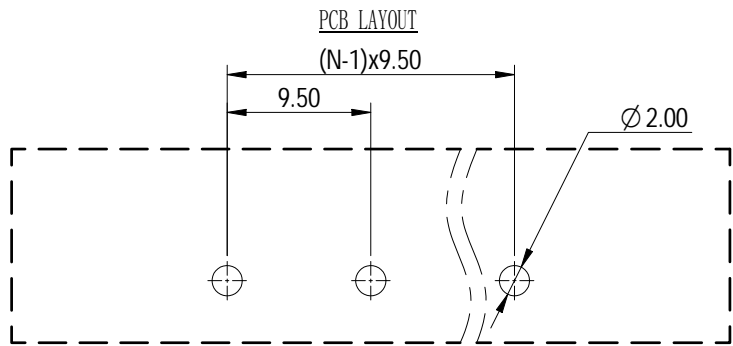


Note: The A&Z(H) in the name means: A(H) and Z(H).

| ITEM | NAME OF PART | MATERIAL | NOTES |
|------|--------------|--------------|-----------|
| 4 | Cover | PC | UL94V-2 |
| 3 | Pin header | Copper alloy | Sn Plated |
| 2 | Screw | Steel | Ni Plated |
| 1 | Housing | PA66 | UL94V-0 |

| UL 标准/UL Standard: | | B | C | D |
|---|--|---------------|---|---|
| 额定电压/电流/Rated Voltage(V)/Current(A) | | 300/20 | / | / |
| 螺丝扭矩/Torque Tightening(N·m/Lb.in) | | M4, 1.2/10.53 | | |
| 线径范围(硬线和软线)/Wire Range(rigid and flexible)(AWG) | | 22~12 | | |
| 间距/Pitch(mm)/线数范围/Poles | | 9.50/N=02~20P | | |
| 使用温度范围/Operating temperature(°C) | | -40~+105 | | |
| 符合RoHS环保要求/Conform to RoHS | | Yes | | |

| MATERIAL: | | SURFACE/COLOR: | |
|-------------------------------|----------------------|-----------------------|-----------------------|
| MAT NO./REV: - / 00 | | MAT STATUS: 批量 | |
| NAME: DG48R-A-XXP-1Y-00A&Z(H) | | | |
| APPD: 蓝贵凡 2022.11.25 | CHKD: 曹利彬 2022.11.25 | DRAFT: 姜民洁 2022.11.25 | DRAWING NO. 200123059 |
| TYPE: CUSTOMER DRAWING | | DRAWING STATUS: 已发布 | SCALE: 2:1 |
| SHEET: 1/1 | | | |



| REV | ECN | DESCRIPTION | DRFT | DATE |
|-----|-----|-------------|------|------|
| 00 | | | | |

Transfer or duplication of this document as well as the utilization or communication of its contents are prohibited unless authorized in writing. All rights reserved for patent, utility model or design registrations. 除专利等明确标注外, 未经许可, 不得复制或传播。 本公司保留对设计及其修改权, 未经许可, 不得复制或传播。