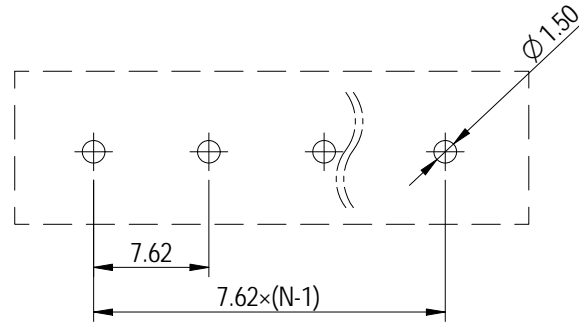
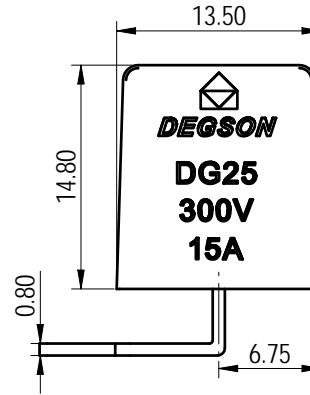
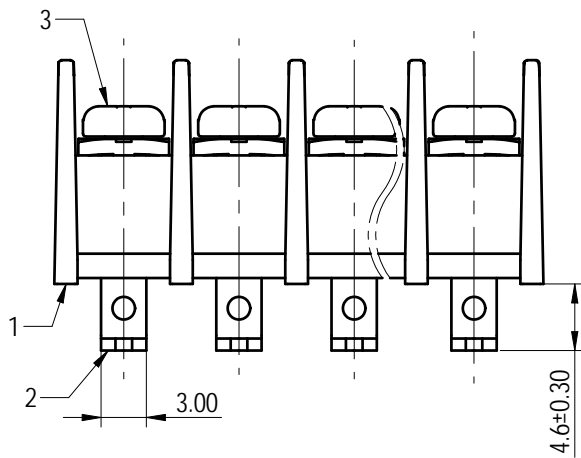
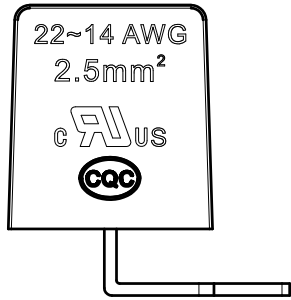
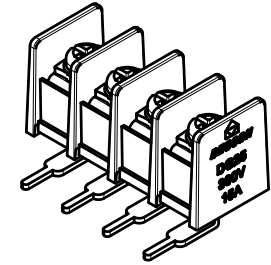
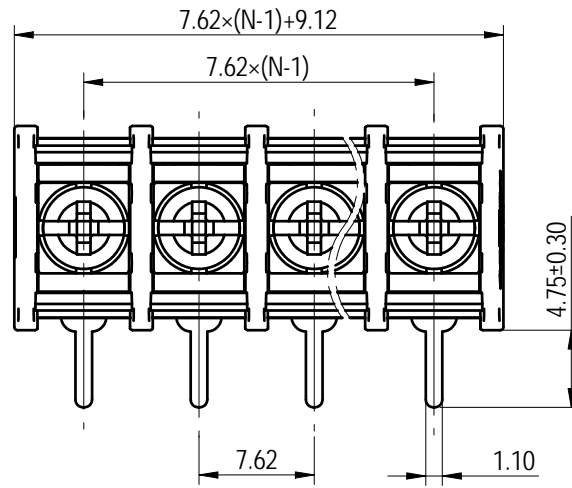


未注公差/General tolerances (mm)													0.1/10
0	>3	>6	>10	>18	>30	>50	>80	>120	>180	>250	>315	>400	
~3	~6	~10	~18	~30	~50	~80	~120	~180	~250	~315	~400	~500	±2'
±0.12	±0.18	±0.22	±0.26	±0.31	±0.37	±0.57	±0.80	±0.93	±1.05	±1.15	±1.60	±2.20	



Note: The A&Z(H) in the name means: A(H) and Z(H).

ITEM	NAME OF PART	MATERIAL	NOTES
3	Screw	Steel	M3/Ni Plated
2	Pin header	Copper alloy	Sn Plated
1	Housing	PA66	UL94V-0

UL 标准/UL Standard:		B	C	D
额定电压/电流/Rated Voltage (V)/Current (A)		300/15	/	/
螺丝扭矩/Torque Tightening (N·m/Lb.in)			M3, 0.5/4.43	
线径范围(硬线和软线)/Wire Range (rigid and flexible) (AWG/mm²)			22~14	
间距/Pitch (mm)/线数范围/Poles			7.62/N=02~24P	
使用温度范围/Operating temperature (°C)			-40~+105	
符合 RoHS 环保要求/Conform to RoHS			Yes	

		MATERIAL:		SURFACE/COLOR:	
APPD: 蓝贵凡 2022.11.30		MAT NO./REV: / 00		MAT STATUS: 批量	
CHKD: 曹利彬 2022.11.30		NAME			
DRFT: 孙科豪 2022.11.30		DG25R-B-XXP-1Y-00A&Z(H)			
DRAWING NO. 200065700		TYPE CUSTOMER DRAWING		DRAWING STATUS 已发布	
SCALE 2:1		SHEET 1/1			

REV	ECN	DESCRIPTION	DRFT	DATE
00				

Transfer or duplication of this document as well as the utilization or communication of its content are prohibited unless authorized in writing. All rights reserved for patent, utility model or design registrations. 除专利、实用新型、外观设计、软件著作权等权利外，本公司保留对涉及发明、实用新型、外观设计、软件著作权等权利的所有权利。