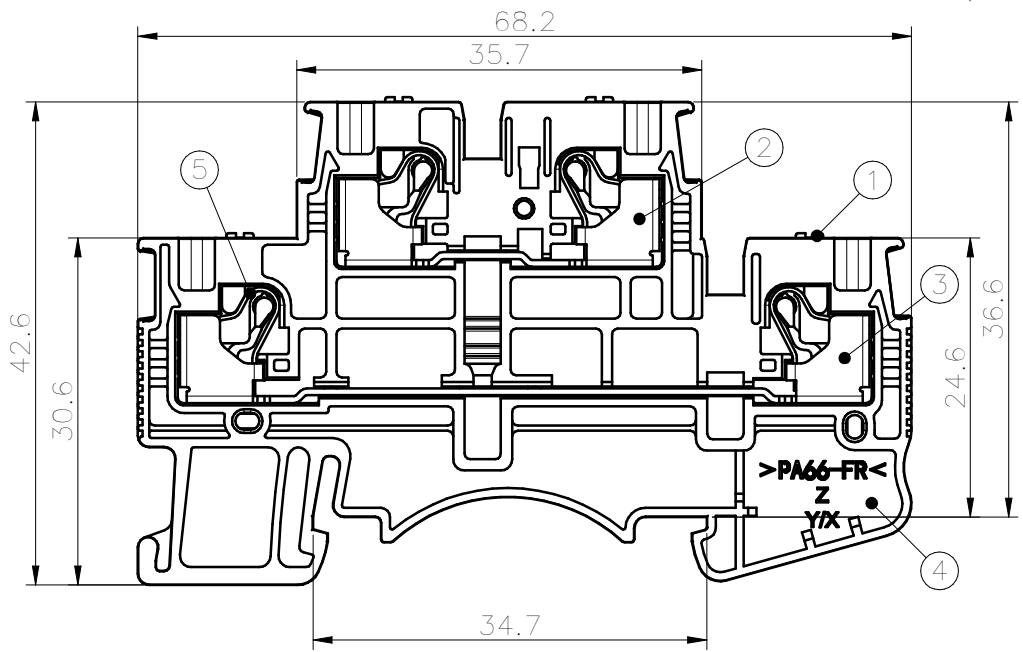


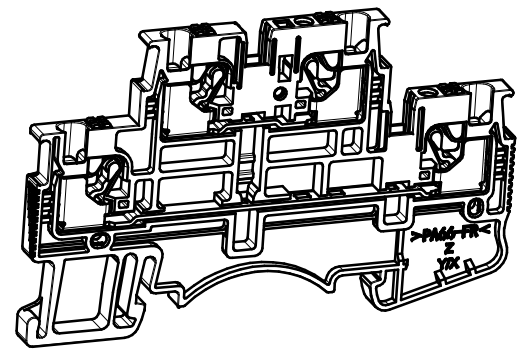
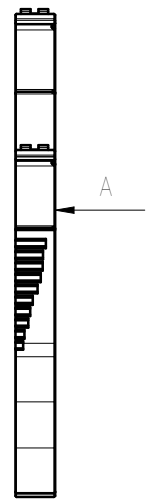


3.5

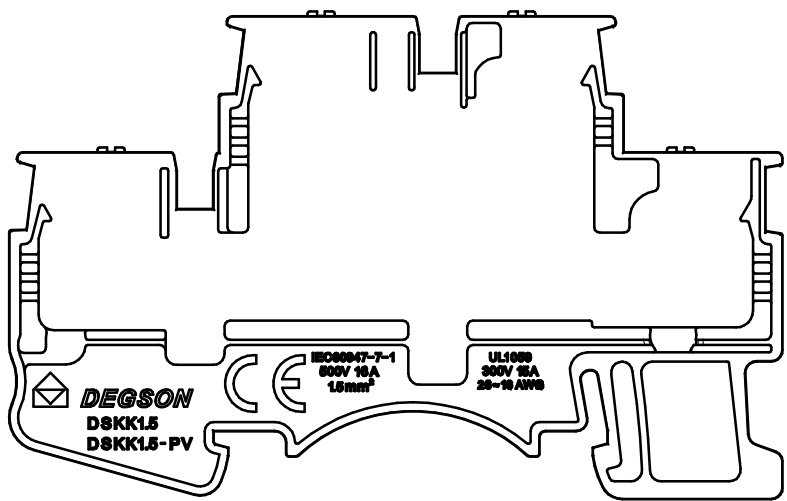
未注公差/General tolerances(mm)												D 0.1/10	
0	>3	>6	>10	>18	>30	>50	>80	>120	>180	>250	>315		>400
~	~	~	~	~	~	~	~	~	~	~	~	~	~
3	6	10	18	30	50	80	120	180	250	315	400	500	>500
±0.12	±0.18	±0.22	±0.26	±0.31	±0.37	±0.57	±0.80	±0.93	±1.05	±1.15	±1.60	±2.20	±2.50



VIEW A



ITEM	NAME OF PART	MATERIAL	NOTES
5	Spring	Stainless steel	/
4	Housing	PA66	UL94V-0
3	Long_Current_carrier	Copper	Sn Plated
2	short_Current_carrier	Copper	Sn Plated
1	Button	PA66+GF%	UL94V-0



UL 标准/UL Standard:	B	C	D
额定电压/电流/Rated Voltage(V)/Current(A)	300/15	300/15	800/5
IEC 标准/IEC Standard:			
过压类别/Overtoltage Category/污染等级/Pollution Degree	III/3	III/2	II/2
额定电压/电流/Rated Voltage(V)/Current(A)	500/16	/	/
额定脉冲电压(KV)/Rate Impulse Voltage(KV)	6	/	/
螺丝扭矩/Torque Tightening(N·m/Lb.in)	/		
线径范围(硬线和软线)/Wire Range(rigid and flexible)(AWG/mm <sup>2</sup> )	26~16, 14SOL / 0.14~1.5conductor cross section flexible, with ferrule with plastic sleeve max.0.5mm <sup>2</sup> (stripping length: 8mm)		
间距/Pitch(mm)/线数范围/Poles	3.50/N=01P		
剥线长度/Stripping length(mm)	8~10		
使用温度范围/Operating temperature(°C)	-40~+105		
符合 RoHS 环保要求/Conform to RoHS	Yes		
标准颜色编号/Standard color number: PANTONE / RAL	/		

		MATERIAL: /	SURFACE: /	
APPD: Li GL 2022.05.06 CHKD: Ma EK 2022.05.06 DRFT: Ma EK 2022.05.06		MAT NO./REV: /	MAT STATUS: /	
NAME: DSKK1.5-01P-1Y-00A(H)				
DRAWING NO. /	TYPE: CUSTOMER DRAWING	DRAWING STATUS: /	SCALE: 1.5:1	SHEET: 1/1

REV	ECN	DESCRIPTION	DRFT	DATE
00	/	/	Ma EK	2022.05.06

Transfer or duplication of this document as well as the utilization or communication of its contents are prohibited without the prior written consent of DEGSON. All rights reserved for patent, utility model or design registrations. 非经书面明确授权，否则禁止转让、复制、利用、交流本文件的内容。 未经授权不得复制或传播本文件的所有权利。