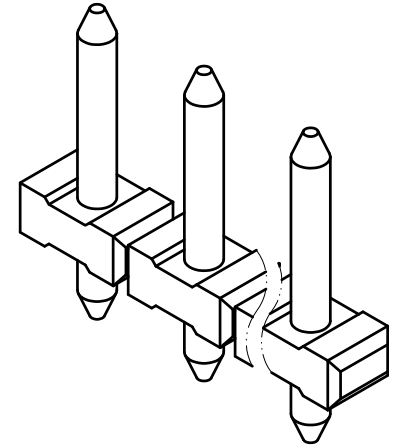
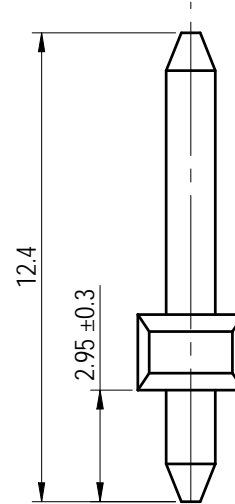
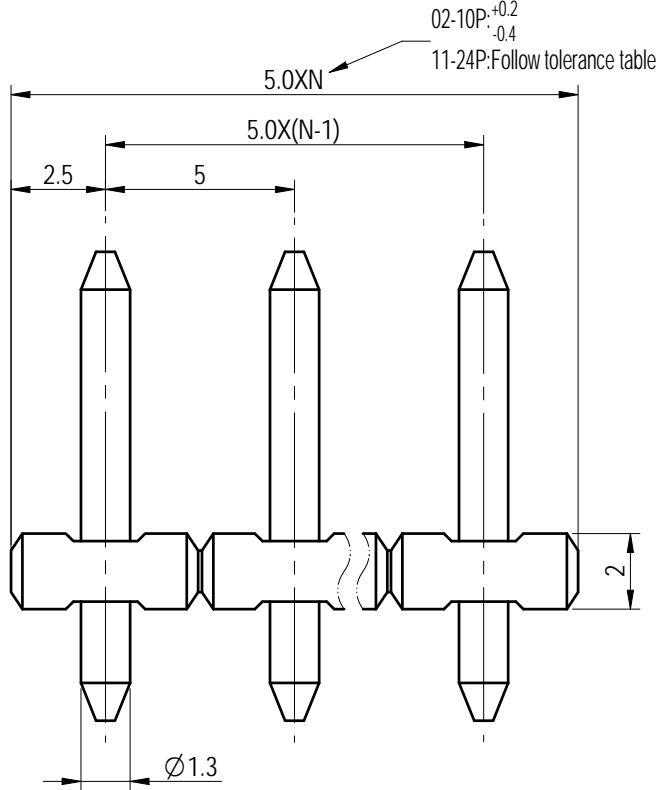
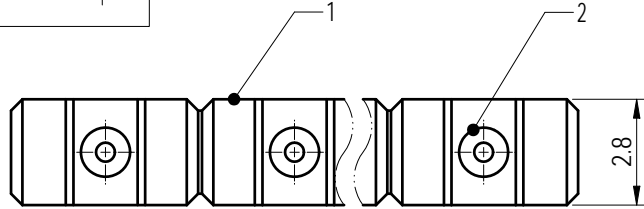
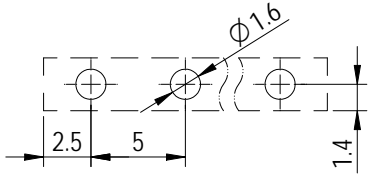


PCB LAYOUT



未注公差/General tolerances (mm)

0	>3	>6	>10	>18	>30	>50	>80	>120	>180	>250	>315	>400	>500	0.1/10 ±2'
~3	~6	~10	~18	~30	~50	~80	~120	~180	~250	~315	~400	~500		
±0.12	±0.18	±0.22	±0.26	±0.31	±0.37	±0.57	±0.80	±0.93	±1.05	±1.15	±1.60	±2.20	±2.50	

UL 标准/UL Standard:	B	C	D
额定电压/电流/Rated Voltage(V)/Current(A)	300/10	/	300/10
IEC 标准/IEC Standard:			
过压类别/Overvoltage Category/污染等级/Pollution Degree	III/3	III/2	II/2
额定电压/电流/Rated Voltage(V)/Current(A)	/	250/12	/
工频耐压/Withstanding voltage(V/1Min)	/	AC2000	/
间距/Pitch(mm)/线数范围/Poles	5.0/N=02~24P		
使用温度范围/Operating temperature(°C)	-40~+130		
符合RoHS环保要求/Conform to RoHS	Yes		

2	Pin	Copper alloy	Sn Plated
1	Housing	Thermoplastic	UL94V-0
ITEM	NAME OF PART	MATERIAL	NOTES

		MATERIAL: /	SURFACE/COLOR: /		
		MAT NO./REV: - / 01	MAT STATUS: 批量		
APPD: 兰春华	2023.04.27	NAME			
CHKD: 陈招	2023.04.27	DG332J-THR-5.0-XXP-1Y-00Z (H)			
DRFT: 岑凯	2023.04.26	DRAWING NO.	TYPE	DRAWING STATUS	SCALE
		200118404	CUSTOMER DRAWING	已发布	5:1
				SHEET	1/1

01			岑凯	2023.04.26
REV	ECN	DESCRIPTION	DRFT	DATE

Transfer or duplication of this document as well as the utilization or communication of its content are prohibited unless authorized in writing by the copyright owner. All rights reserved for patent. 除专利权明确授权外，否则禁止转让、复制、引用、光碟等文件的传播、使用。未经专利权人许可，不得复制或传播。 除专利权明确授权外，否则禁止转让、复制、引用、光碟等文件的传播、使用。未经专利权人许可，不得复制或传播。