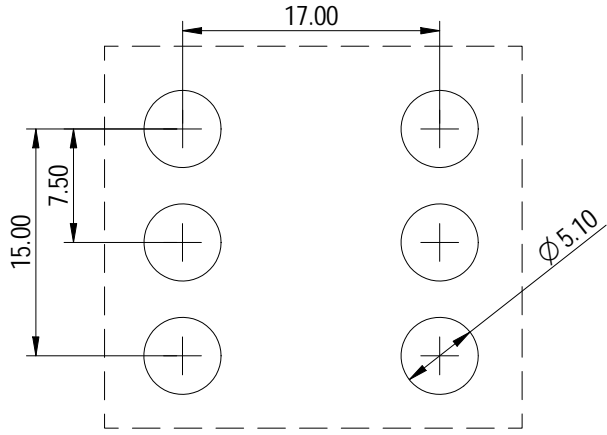
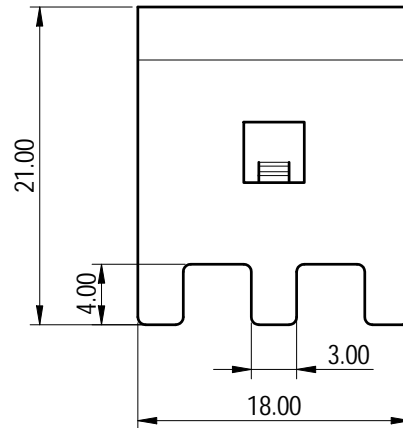
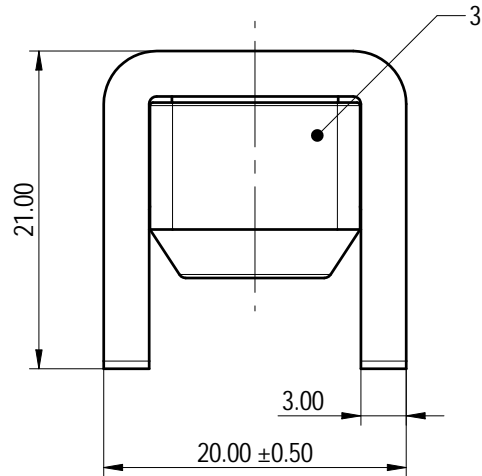
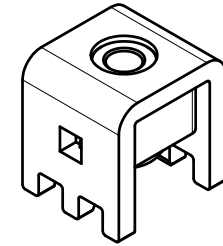
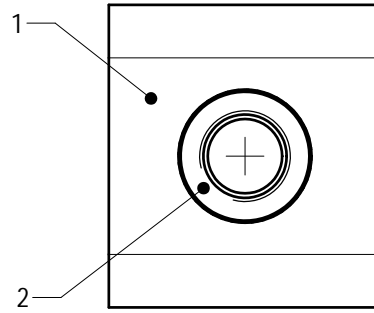


PCB LAYOUT



未注公差/General tolerances (mm)													0.1/10 ±2'	
0 ~ 3	>3 ~ 6	>6 ~ 10	>10 ~ 18	>18 ~ 30	>30 ~ 50	>50 ~ 80	>80 ~ 120	>120 ~ 180	>180 ~ 250	>250 ~ 315	>315 ~ 400	>400 ~ 500		>500
±0.12	±0.18	±0.22	±0.26	±0.31	±0.37	±0.57	±0.80	±0.93	±1.05	±1.15	±1.60	±2.20	±2.50	



ITEM	NAME OF PART	MATERIAL	NOTES
3	Housing	PA66+GF	UL94V-0
2	Nut	Steel	Zn Plated
1	Pin header	Copper alloy	Sn Plated

额定电流/Current (A)	300A
螺丝扭矩/Torque Tightening(N·m/Lb.in)	M6, 1.98/18.0
符合RoHS环保要求/Conform to RoHS	Yes

<b>DEGSON</b>		MATERIAL:	SURFACE/COLOR:
APPD: 蓝贵凡 2022.12.14		MAT NO./REV: 10900000267 / 00	MAT STATUS: /
CHKD: 曹利彬 2022.12.14		NAME	
DRFT: 孙科豪 2022.12.14		K41-12A(H)	
DRAWING NO.	TYPE	DRAWING STATUS	SCALE
200117298	CUSTOMER DRAWING	已发布	2:1
SHEET		1/1	

REV	ECN	DESCRIPTION	DRFT	DATE
00				

Transfer or duplication of this document as well as the utilization or communication of its content are prohibited unless authorized in writing by the copyright owner. All rights reserved for patent, utility model or design registrations. 除专利权明确授权外，否则禁止转让、复制、引用、交流本文件的内容。未经专利权人许可，不得复制或传播本文件内容。所有权利保留。