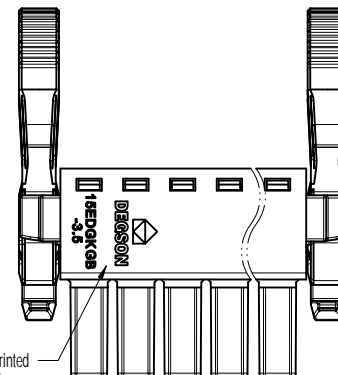
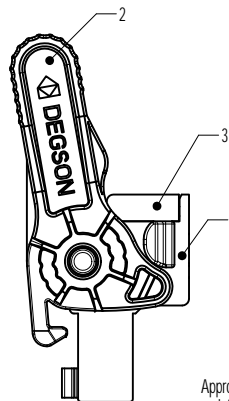
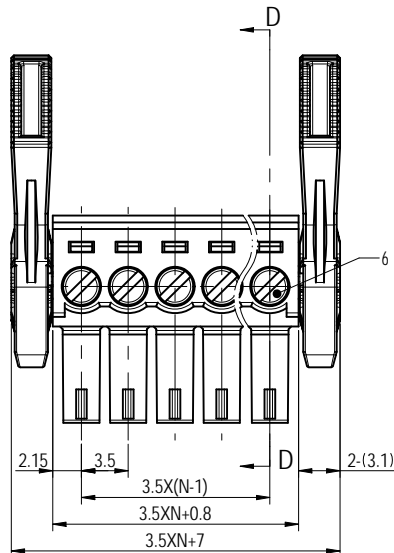
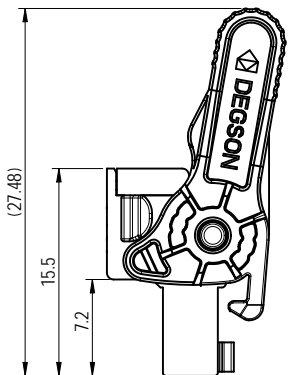
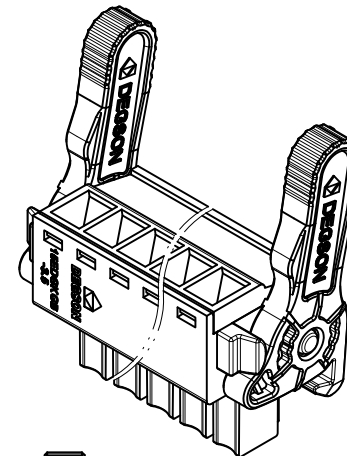
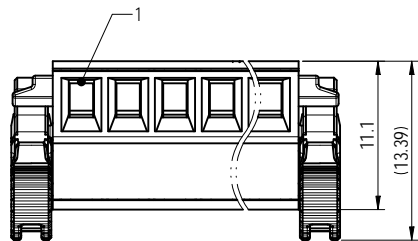
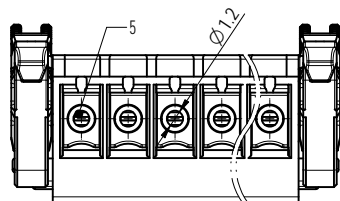


公差/General tolerances (mm)													D 0.1/10	
0	>3	>6	>10	>18	>30	>50	>80	>120	>180	>250	>315	>400		>500
±0.12	±0.18	±0.22	±0.26	±0.31	±0.37	±0.57	±0.80	±0.93	±1.05	±1.15	±1.60	±2.20	±2.50	±2



Approval mark can be printed on left and right end both



ITEM	NAME OF PART	MATERIAL	NOTES
6	Clamp	Copper alloy	Sn plated
5	Screw	Steel	M2/Zn plated
4	Housing	PA66	UL94V-0
3	Cover	PA66	UL94V-0
2	Lever	PA66-GF	UL94V-0
1	Cage	Copper alloy	M2/Ni plated
UL 标准/UL Standard:			
额定电压/电流/Rated Voltage(V)/Current(A)		B	C D
		300/8	/ 300/8
IEC 标准/IEC Standard:			
过压类别/Overvoltage Category/污染等级/Pollution Degree		III/3	III/2 II/2
额定电压/电流/Rated Voltage(V)/Current(A)		160/7	160/7 320/7
额定脉冲电压(RV)/Rate Impulse Voltage(KV)		2.5	
螺丝扭矩/Torque Tightening(N·m/Lb.in)		M2_0.2/1.77	
线径范围(硬线和软线)/Wire Range(rigid and flexible)(AWG/mm <sup>2</sup> )		28~16 / 0.5~1.5	
间距/Pitch(mm)/线数范围/Poles		3.5/N=02~22P	
剥线长度/Stripping length(mm)		6~7	
使用温度范围/Operating temperature(°C)		-40~+105	
符合RoHS环保要求/Conform to RoHS		Yes	

<b>DEGSON</b>		MATERIAL:	SURFACE/COLOR:		
APPD: 兰春华	2024.03.13	MAT NO./REV:	/ 00	MAT STATUS:	批量
CHKD: 陈超	2024.03.13	NAME			
DRFT: 姜徐涛		DRAWING NO.		TYPE	DRAWING STATUS
2024.03.13		200033797		CUSTOMER DRAWING	已发布
DATE		SCALE		SHEET	
A3		1:1		1/1	

REV	ECN	DESCRIPTION	DRFT	DATE	APPD	DATE	DRW	DATE	SCALE	SHEET
00				2024.03.13	姜徐涛					

Transfer or duplication of this document as well as the utilization of its contents without the written permission of DEGSON is prohibited. All rights reserved for patent. 未经授权复制或传播本文件及其内容，或未经许可使用其内容，均属侵权行为。DEGSON 保留所有权利。未经许可复制或传播本文件及其内容，均属侵权行为。