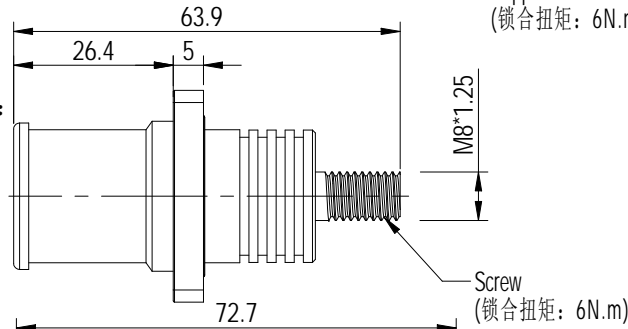
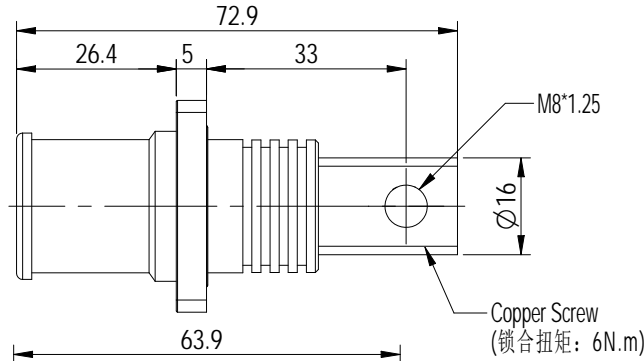
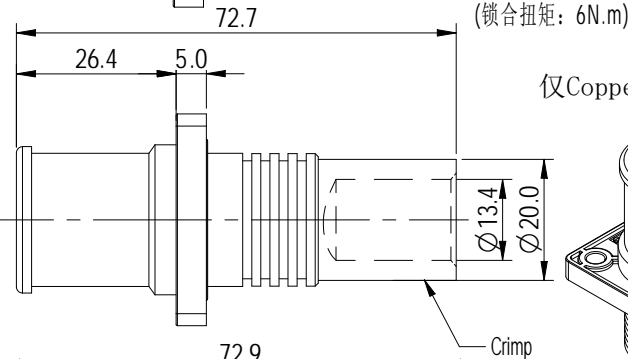


正极 "+"
负极 "-"

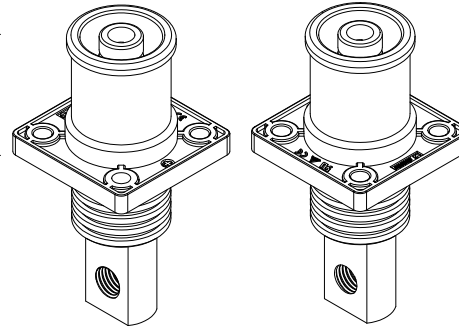
其他接线方式：形式一：



形式二：



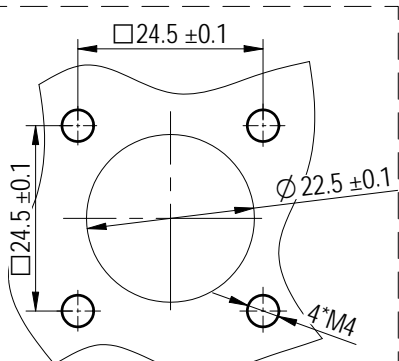
仅Copper Screw的形式3D展示：



ESS-300A-95-X-XX-00-01

Color: BK : Black 负极
OR : Orange 正极
RD : Red 正极

Contact Termination: B : Busbar
C : Crimp
S : Screw
B/S : Copper Screw



Recommended
Panel Cut-Out

REV	ECN	DESCRIPTION	DRFT	DATE
01				

		MATERIAL:	SURFACE/COLOR:		
APPD: 刘剑 2024.01.24		MAT NO./REV:	MAT STATUS:		
CHKD: 于进海 2024.01.21		NAME			
DRFT: 张晓璐 2024.01.17		ESS-300A-95-X-XX-00-01			
DRAFTING: A4		DRAWING NO.	TYPE	DRAWING STATUS	SHEET
		200269879	CUSTOMER DRAWING		1/1

技术要求/Technical requirements:	
颜色/Color	Black, Orange, Red
锁紧方式/Locking method	卡扣(Buckle)
接线方式/Terminal	Busbar, Screw, Crimp, Copper Screw
外壳材料/Housing material	PA+GF
接触件材料/Connector material	铜合金(Copper alloy)
插入力/Insertion force	100N Max
拔出力/Withdrawal force	>10N
插拔次数/Mechanical working life(mating cycles)	100
安装螺母紧固扭矩/Screw torque	M4/0.4^0.7N.m
接线规格/Wiring specifications	3/0AWG or 95mm²
建议剥线长度/Suggested stripping length	16^18mm (Crimp type)
线径OD/Wire diameter	16^18mm (Crimp type)
额定电压/Rated voltage	1500V DC
额定电流/Rated current	300A
绝缘电阻/Insulate resistance	≥5000Ω (drying)
耐电压/Withstanding voltage	6800V/min
接触电阻/Contact resistance	≤0.5mΩ
过电压等级/Overvoltage category	III
污染等级/Pollution degree	3
防护等级/Ingress protection	IP67 (Mated)
使用温度范围/Operating temperature(°C)	-40^+125(including temperature rise)
盐雾/Salt spray	48H
储存温度/Storage temperature(°C)	-40^+85
阻燃等级/Flame retardant ability	UL94-V0
符合RoHS环保要求/Conform to RoHS	Yes
UL4128认证/UL4128 certification	E526028
TUV认证/TUV certification	50581738

Transfer or duplication of this document as well as the utilization or communication of its content are prohibited unless authorized in writing by the copyright holder. All rights reserved for patent. 除专利声明外，其他内容均受法律保护。未经许可，不得复制或传播。 版权所有，侵权必究。