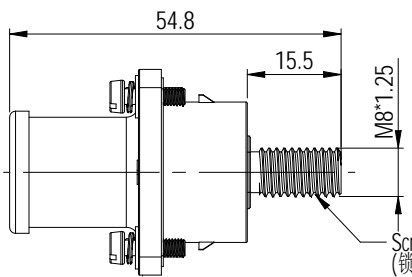


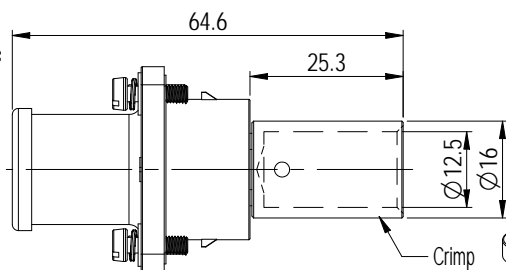
Busbar
(适配M5螺钉扭矩: 6N.m)

其他接线方式: 形式一:



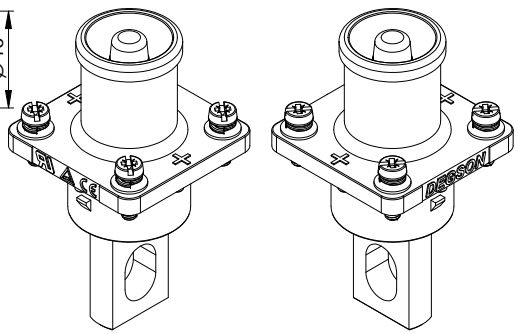
Screw
(锁合扭矩: 2-3N.m)

形式二:



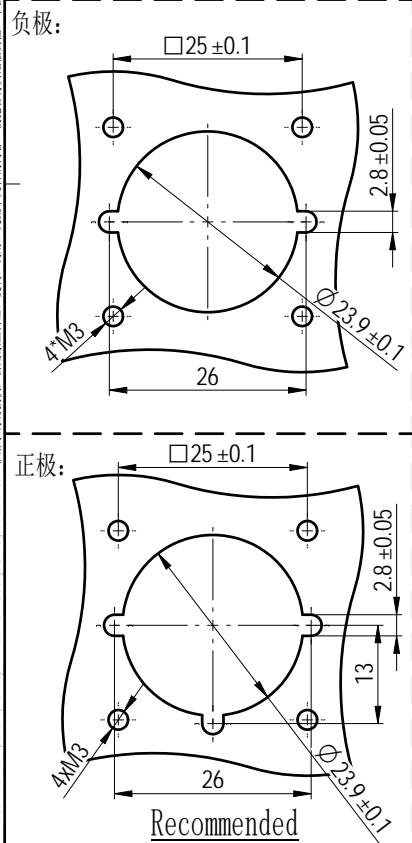
Crimp

仅Busbar的形式3D展示:



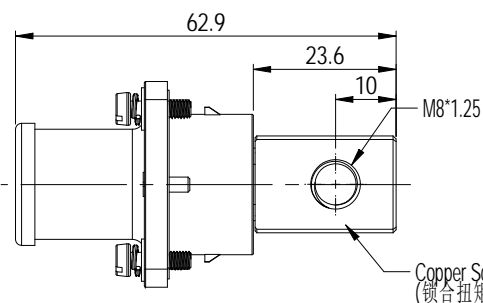
ESS-250A-70-X-XX-XX

- 02: 负极
- 03: 正极
- Color: BK : Black
- OR : Orange
- RD : Red
- Contact Termination: B : Busbar
- C : Crimp
- S : Screw
- B/S : Copper Screw



Recommended
Panel Cut-Out

形式三:



Copper Screw
(锁合扭矩: 6N.m)

技术要求/Technical requirements:		尺寸公差(mm)				
		0 ~ 30	>30 ~ 60	>60 ~ 100	>100 ~ 150	>150
颜色/Color	Black, Orange, Red	±0.20	±0.30	±0.50	±0.70	±1.00
锁紧方式/Locking method	卡扣(Buckle)					
接线方式/Terminal	Busbar, Screw, Crimp, Copper Screw					
外壳材料/Housing material	PA+GF					
接触件材料/Connector material	铜合金(Copper alloy)					
插入力/Insertion force	100N Max					
拔出力/Withdrawal force	>10N					
插拔次数/Mechanical working life(mating cycles)	100					
安装螺母紧固扭矩/Screw torque	M3/0.4~0.7N.m					
接线规格/Wiring specifications	2/OAWG or 70mm²					
建议剥线长度/Suggested stripping length	19~21mm (Crimp type)					
线径OD/Wire diameter	15.5~17mm (Crimp type)					
额定电压/Rated voltage	1500V DC					
额定电流/Rated current	250A					
绝缘电阻/Insulate resistance	≥5000MΩ (drying)					
耐电压/Withstanding voltage	6800V/min					
接触电阻/Contact resistance	≤0.5mΩ					
过电压等级/Overvoltage category	III					
污染等级/Pollution degree	3					
防护等级/Ingress protection	IP67 (Mated)					
使用温度范围/Operating temperature(°C)	-40~+125 (including temperature rise)					
盐雾/Salt spray	48H					
储存温度/Storage temperature(°C)	-40~+85					
阻燃等级/Flame retardant ability	UL94-V0					
符合RoHS环保要求/Conform to RoHS	Yes					
UL4128认证/UL4128 certification	E526028					
TUV认证/TUV certification	50581738					
满足户外使用/Satisfy outdoor use	Yes					

		MATERIAL:	SURFACE/COLOR:		
APPD: 刘剑 2024.01.24		MAT NO./REV:	MAT STATUS:		
CHKD: 于进海 2024.01.21		NAME			
DRFT: 张晓瑶 2024.01.17		ESS-250A-70-X-XX-XX			
01	REV	ECN	DESCRIPTION	DRFT	DATE
DRAWING NO.		TYPE	DRAWING STATUS	SCALE	SHEET
200270377		CUSTOMER DRAWING		1:1	1/1

Transfer or duplication of this document as well as the utilization or communication of its contents are prohibited unless express authorization is granted. Degson will be liable for compensation. All rights reserved for patent, utility model or design registrations. 非经书面授权, 复制或传播本文件内容, 侵犯者将承担法律责任。 侵权必究。 未经授权, 复制或传播本文件内容, 侵权者将承担法律责任。 侵权必究。