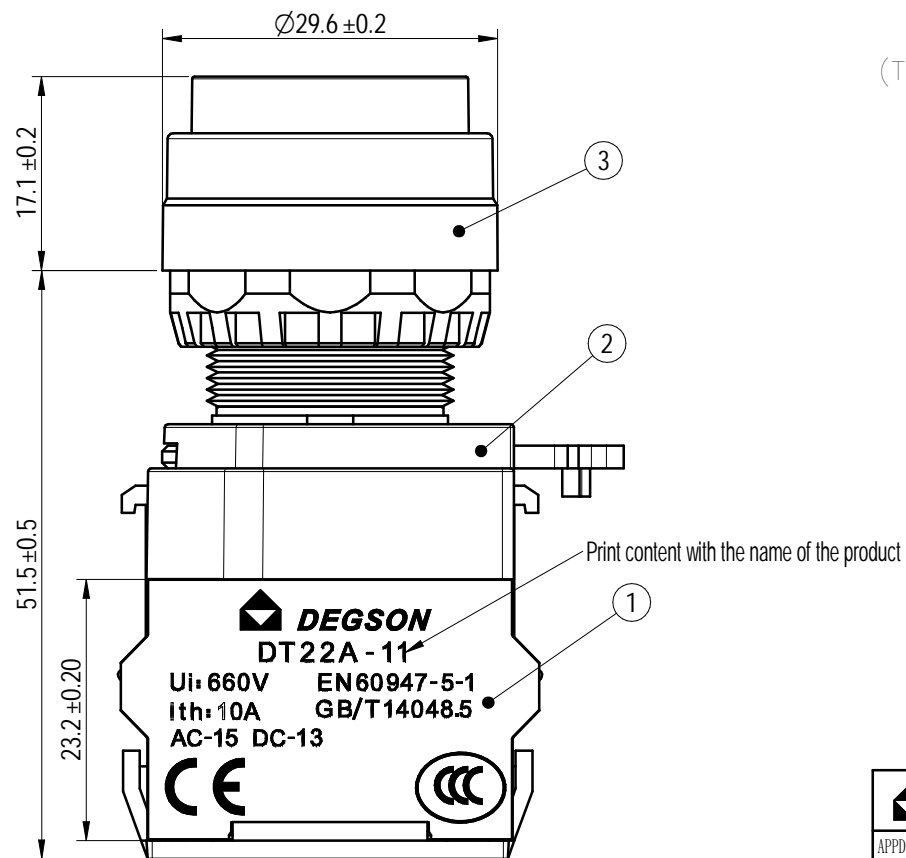
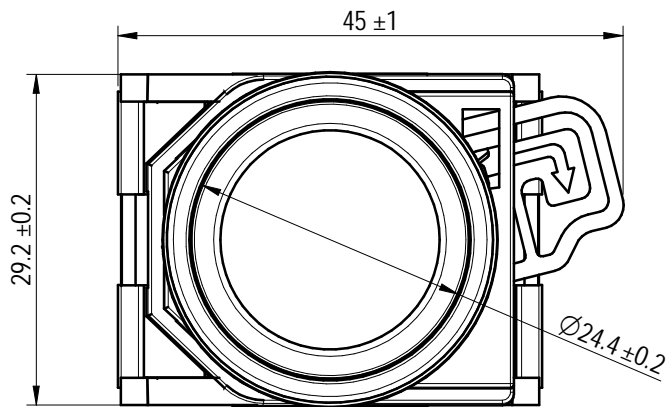


Transfer or duplication of this document as well as the utilization or communication of its contents are prohibited unless authorized in general. Weights, dimensions, etc. are subject to change without notice. All rights reserved for patent. 除专利等明确标注外，其他内容均不作为要约。本公司保留对涉及发明、实用新型及外观设计之专利权。未经许可，不得复制或传播。 未经授权，不得复制或传播。 未经授权，不得复制或传播。



未注公差/General tolerances (mm)											0.1/10 ±2'			
0 ~ 3	>3 ~ 6	>6 ~ 10	>10 ~ 18	>18 ~ 30	>30 ~ 50	>50 ~ 80	>80 ~ 120	>120 ~ 180	>180 ~ 250	>250 ~ 315		>315 ~ 400	>400 ~ 500	>500
±0.12	±0.18	±0.22	±0.26	±0.31	±0.37	±0.57	±0.80	±0.93	±1.05	±1.15	±1.60	±2.20	±2.50	

DT22A - FXH X / Y

(Series No.)

(Color): RD: (Red)
GN: (Green)
YE: (Yellow)
WH: (White)
BU: (Blue)
BL: (Black)

(Contact form): 10: 1NO
01: 1NC
11: 1NO1NC

(Type of actuator): FRH: flat reset high
FLH: flat lock high

ITEM	NAME OF PART	MATERIAL	NOTES
3	Button head	/	/
2	Holding screw	/	/
1	Contact module	/	/

使用温度范围/Operating temperature(°C)	-25~+55(无冰冻)
使用湿度范围/Operating humidity(%RH)	45~85
接触电阻/Contact resistance(mΩ)	≤50
绝缘电阻/Insulation resistance(mΩ)	≥100
工频耐压/Power frequency withstand voltage	1890VAC/50Hz/60s
耐振动性/Vibration resistance	振幅约1.0mm/50Hz
耐冲击性/Shock resistance	>10g
机械寿命/Mechanical life	≥200万次
电气寿命/Electrical life	≥20万次
接线/Connection	螺纹连接, 线直径2x1.5mm 最大界限插片 6.3x0.8mm
符合RoHS环保要求/Conform to RoHS	Yes
标准颜色编号/Standard color number: PANTONE / RAL	/

DEGSON		MATERIAL:	SURFACE/COLOR:
APPD: 李根芳	2022.10.12	MAT NO./REV: / 00	MAT STATUS: 小批量
CHKD: 马恩开	2022.10.12	NAME DT22A-FXHX/Y	
DRFT: 马恩开	2022.10.12	DRAWING NO. 200113441	TYPE CUSTOMER DRAWING
REV	ECN	DESCRIPTION	DRAWING STATUS work
00		New Drawing	SCALE 1.5:1
		马恩开	SHEET 1/1
		2022.10.12	

REV	ECN	DESCRIPTION	DRFT	DATE
00		New Drawing	马恩开	2022.10.12

