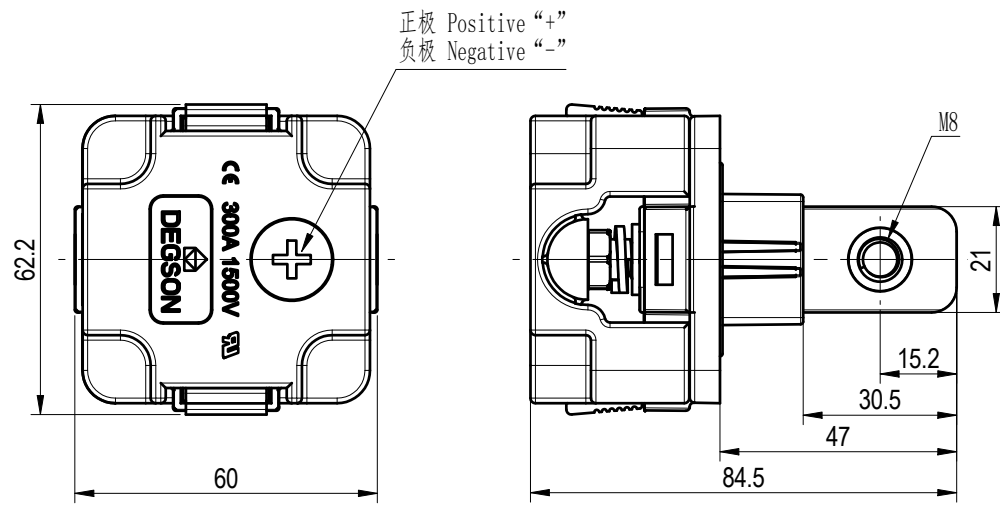


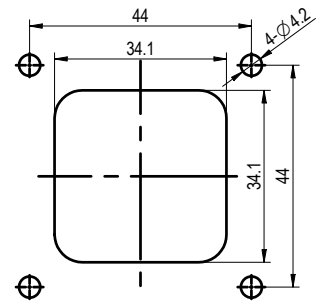
Transfer or duplication of this document as well as the utilization or communication of its content are prohibited unless authorized in writing by DEGSON. All rights reserved for patent. 除专利等明确标注外，其他内容均受版权保护。未经许可，不得复制或传播。DEGSON 保留所有权利。

Dimensional tolerances(mm)					Length tolerances(mm)				0.1/10
0 ~ 30	>30 ~ 60	>60 ~ 100	>100 ~ 150	>150	0 ~ 5000	>5000 ~ 10000	>10000 ~ 30000	>30000	
±0.25	±0.35	±0.55	±0.80	±1.10	±55	±105	±205	±505	±2°

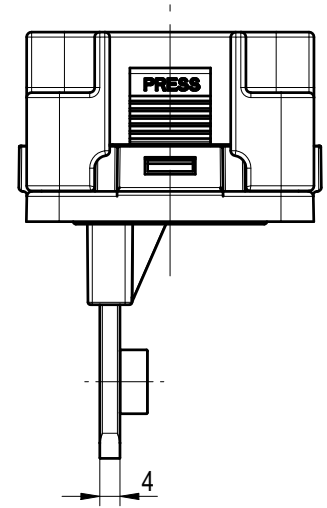
额定电压/Rated Voltage	Current	1500V/300A
绝缘电阻/Insulation Resistance		≥5000MΩ
接线方式/Terminal		Copper Screw
锁板扭矩 (N.m)		0.4-0.8
铜排嵌合扭矩 (N.m)		M8.6
防水等级/Levels of protection		IP20
使用温度范围/Operating temperature(°C)		-40~+125
符合RoHS环保要求/Conform to RoHS		Yes



正极 Positive “+”  
负极 Negative “-”



Panel Mounted



EDG-300A-B95-B/S-XX-00

COLOR:  
OR: ORANGE 正极 “+”  
BK: BLACK 负极 “-”  
RD: RED 正极 “+”

建议接线大小: 4/0AWG

图纸版本	ECN	变更描述	设计人	设计日期
REV	ECN	DESCRIPTION	DRFT	DATE

		MATERIAL: 材质	SURFACE/COLOR: 表面处理		
		MAT NO./REV: 物料编码 / 版本	MAT STATUS: 物料状态		
APPD: Liu J	2024-01-04	NAME			
CHKD: Yu JH	2024-01-04	EGD-300A-B95-B/S-XX-00			
DRFT: Yu KW	2024-01-04	DRAWING NO.	TYPE	DRAWING STATUS	SCALE
A4		图号	图纸类型	图纸状态	1:1.5
				SHEET	1/1